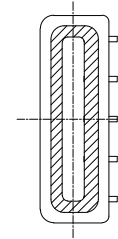
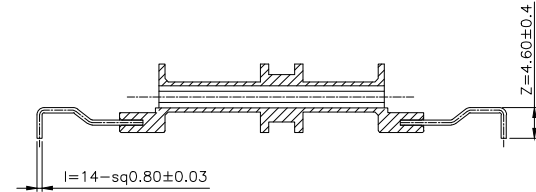
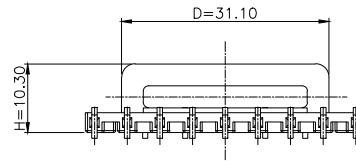
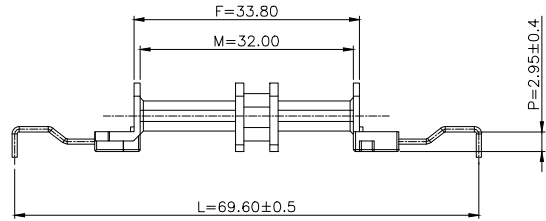


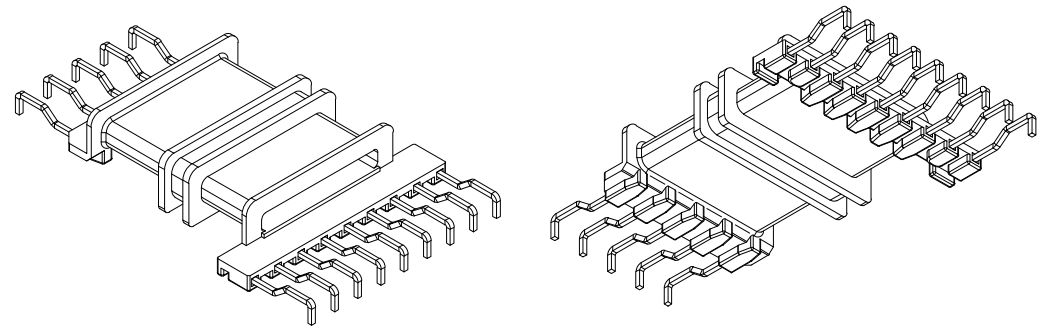
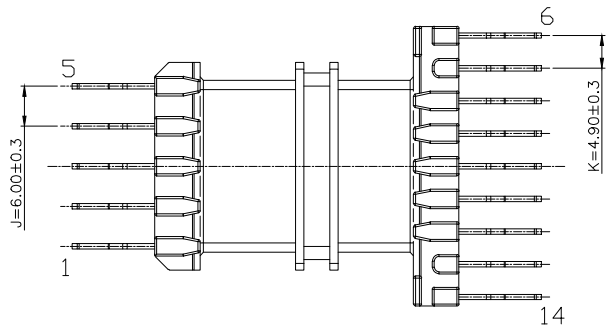
SECTION B-B



SECTION C-C



SECTION A-A



MARK	REVISION NOTE			DATE	DRAWN	CHECKED	APPROVED
△							
△							
△							
△							
	DRAWN	CHECKED	APPROVED	MATERIAL : PHENOL	UL REC. : UL94V-0	THIRD ANGLE PROJ.	SCALE : 1/1
	Sang Han, Kim	Hyung Seok, Lee	Chul, Park		DATE : 2010.06.23	TOLERANCE : ±0.2 (Unless otherwise specified)	UNT : m/m
	주식회사 대흥보빈 DAE HEUNG BOBBIN CO., LTD			TITLE	DWG NO		
				EFD 45*49 (14P) "H" 2F	DH-101001-8605-00		